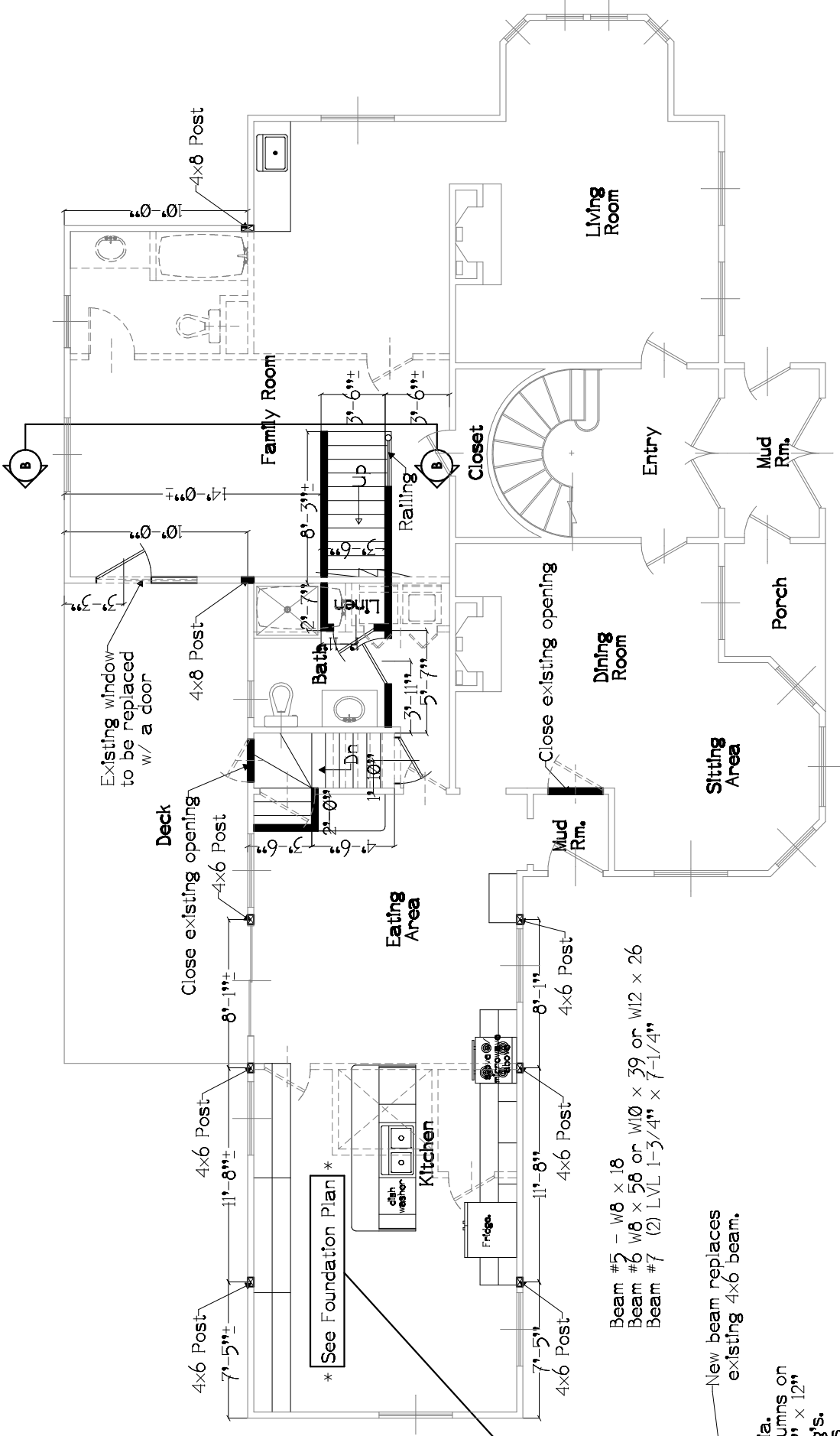


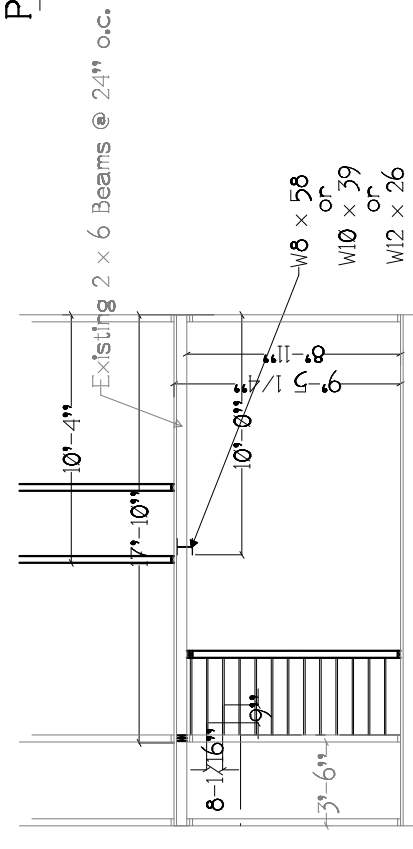
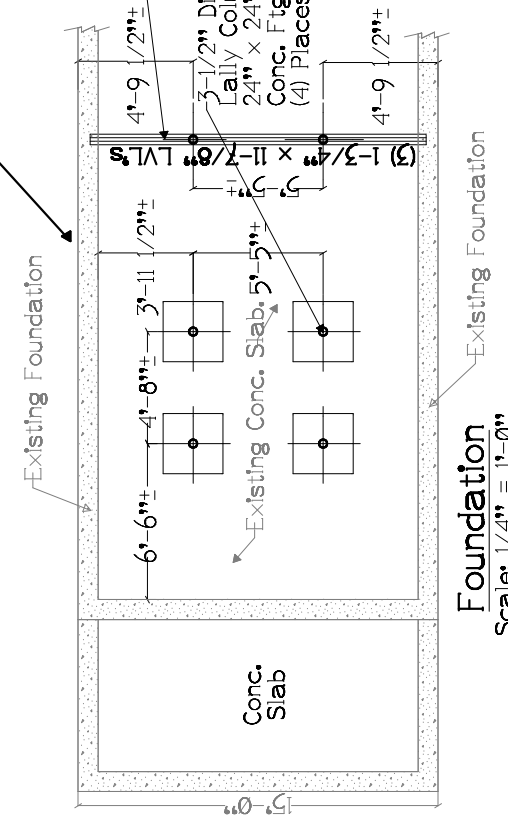
EVERY BATHROOM AND TOILET ROOM SHALL BE EQUIPPED WITH A MECHANICAL EXHAUST FAN AND ASSOCIATED DUCTWORK WITH THE FAN EXHAUSTING AS A MINIMUM, AT 50CFM IF OPERATED INTERMITTENTLY OR 20 CFM IF CONTINUOUSLY OPERATED. SUCH BATHROOM EXHAUST SHALL VENT DIRECTLY TO THE OUTSIDE AND NO EXHAUST VENT TERMINATION TO ATTICS OR OTHER INTERIOR PORTIONS OF THE BUILDING ARE ALLOWED.



- Beam #5 - W6 x 18
- Beam #6 W8 x 58 or W10 x 39 or W12 x 26
- Beam #7 (2) LVL 1-3/4" x 7-1/4"

New beam replaces existing 4x6 beam.

3-1/2" Dia. Lally Columns on 24" x 24" x 12" Conc. Ftg's. (4) Places



Note:
 Scale is at 1/2 shown on 11" x 17" prints.

LEGEND:
 UNLESS OTHERWISE NOTED

| REV. | DATE | DESCRIPTION |
|------|---------|----------------|
| 1 | 1/10/08 | UPDATED LAYOUT |
| | | |
| | | |
| | | |

EXISTING (TO BE REMOVED):
 PROPOSED:

EXISTING CONDITIONS MAY VARY FROM THOSE SHOWN. FIELD VERIFY ALL EXISTING CONDITIONS AND DIMENSIONS.

Note:
 Packert Design is a residential design service and not an architectural or engineering firm. These plans are intended for dimensional and conceptual use. Any engineering required is the sole responsibility of the customer and/or builder. These plans must be reviewed by the contractor/builder before construction to ensure accuracy.