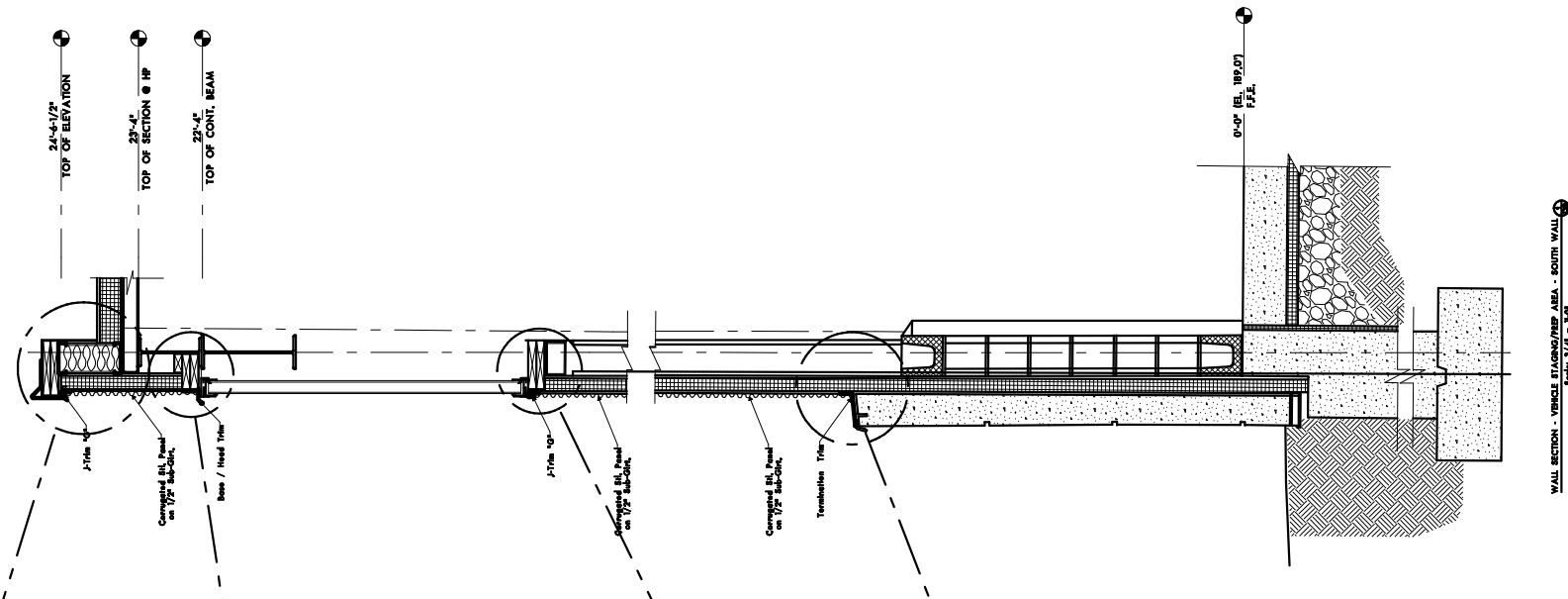


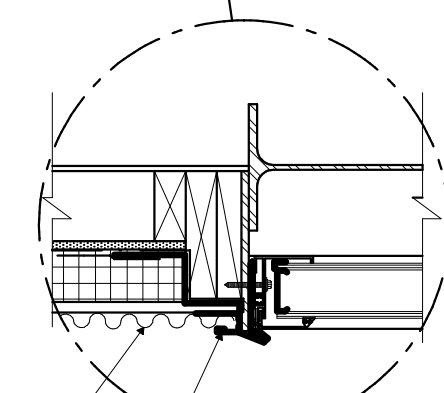
REV.	DATE	DESCRIPTION
1	06-04-08	General Revisions and re-scale
LEXINGTON DEPARTMENT OF PUBLIC WORKS WALL SECTION & DETAILS		
DRAWN BY: DAVID PACKERT		
SCALE: 1/8" = 1'-0"		
DATE: MARCH 2008		
PLAN NO. #D10270		
SHEET 9 OF		

PACKERT
DESIGN
D9

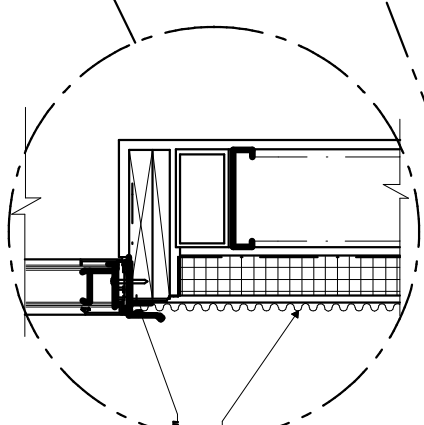
Note: Scale is 1/2" = 1'-0"
on 24" x 36" sheets



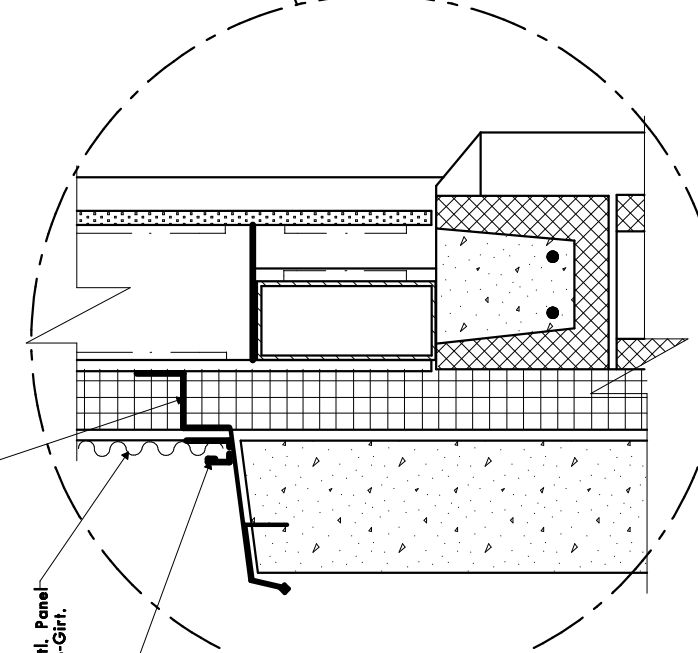
WALL SECTION - VEHICLE STAGING/REP AREA - SOUTH WALL
Scale: 3/4" = 1'-0"



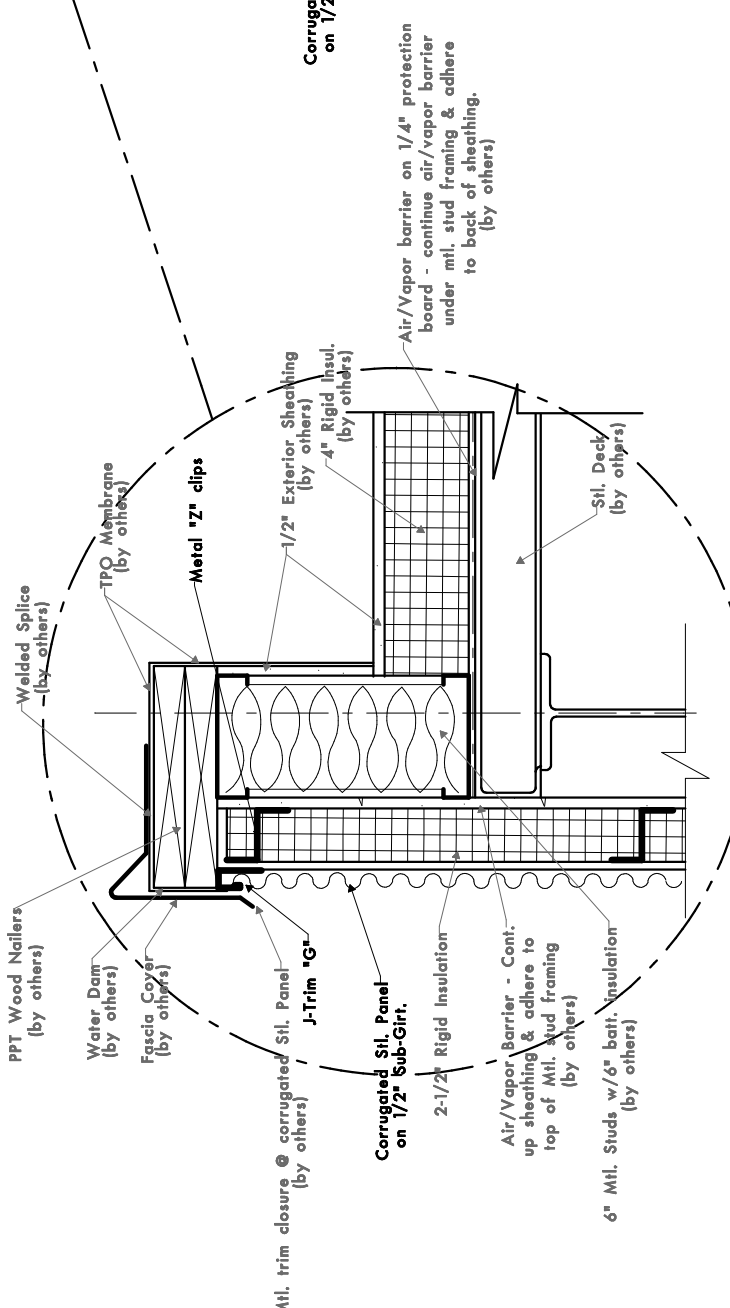
DETAIL "K"
Scale: 3" = 1'-0"



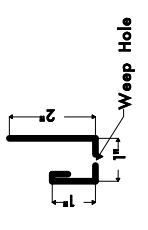
DETAIL "L"
Scale: 3" = 1'-0"



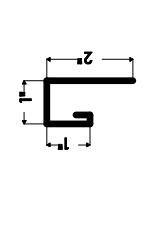
DETAIL "M"
Scale: 3" = 1'-0"



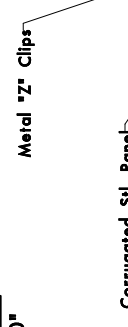
DETAIL "J"
Scale: 3" = 1'-0"



J-Trim (Upper)
Scale: 6" = 1'-0"



J-Trim (Lower)
Scale: 6" = 1'-0"



Metal "Z" Clips